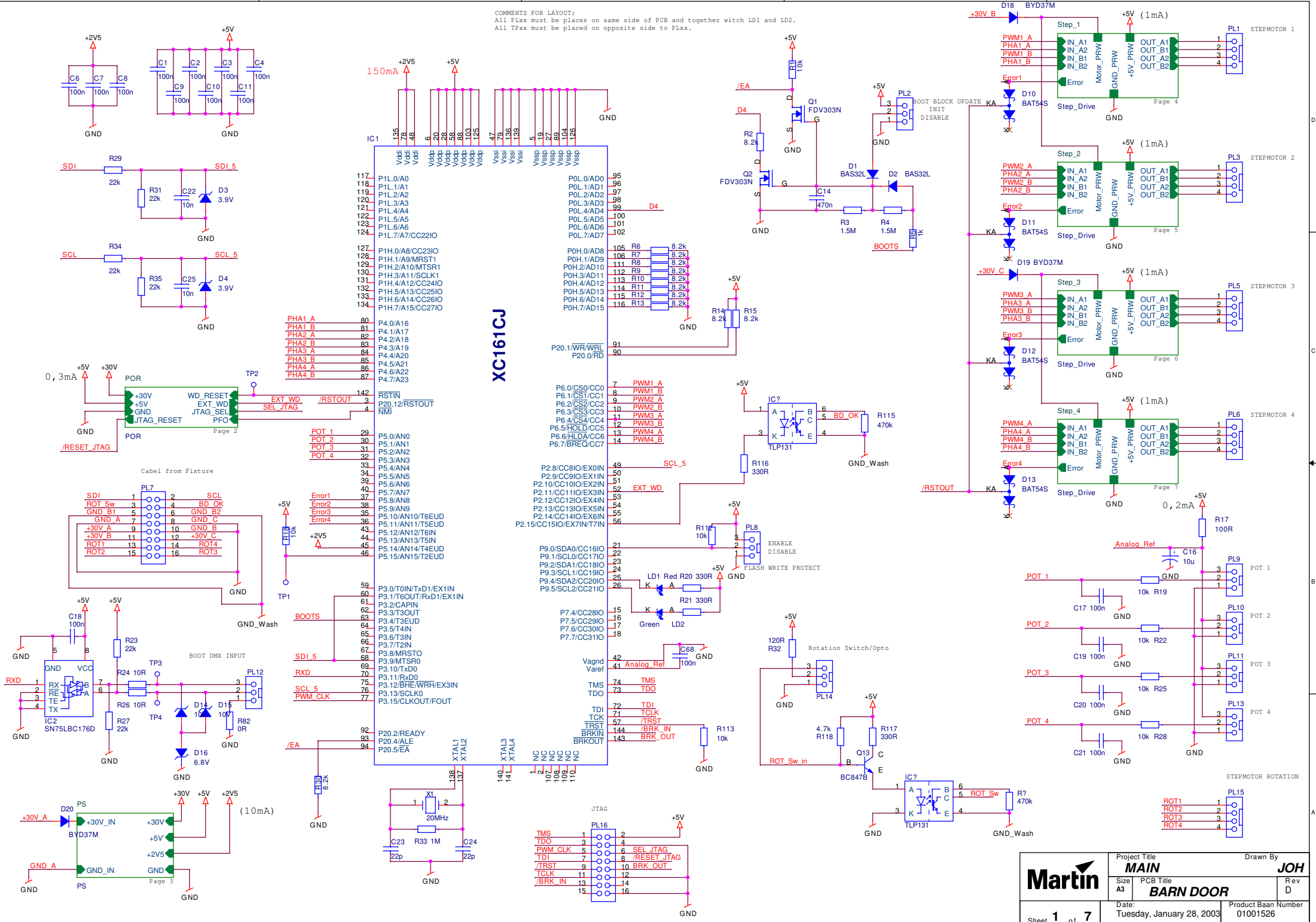
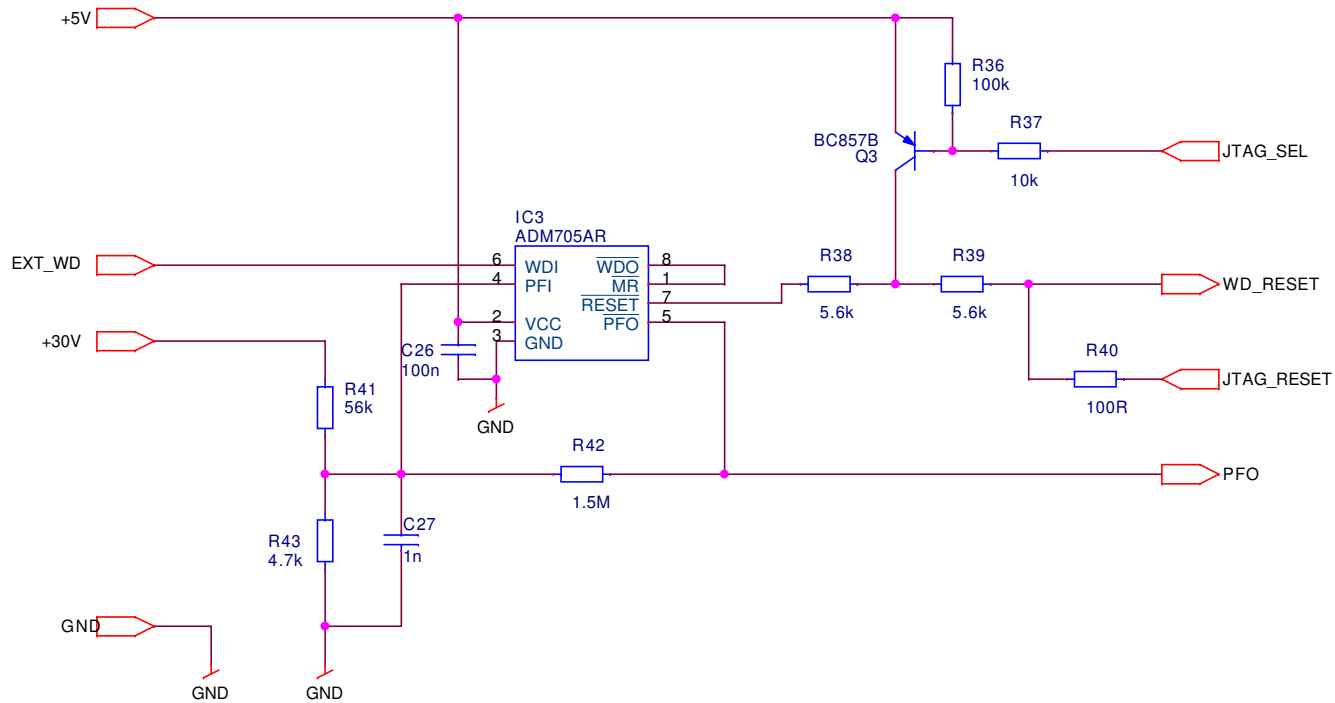



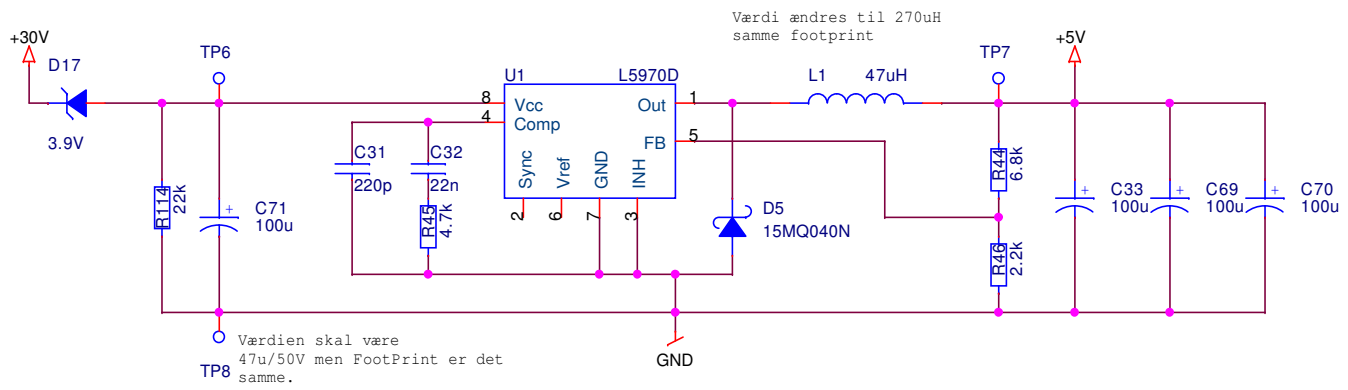
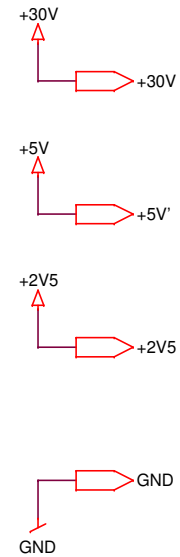
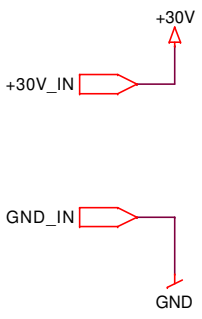
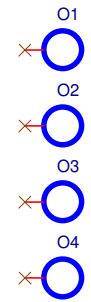
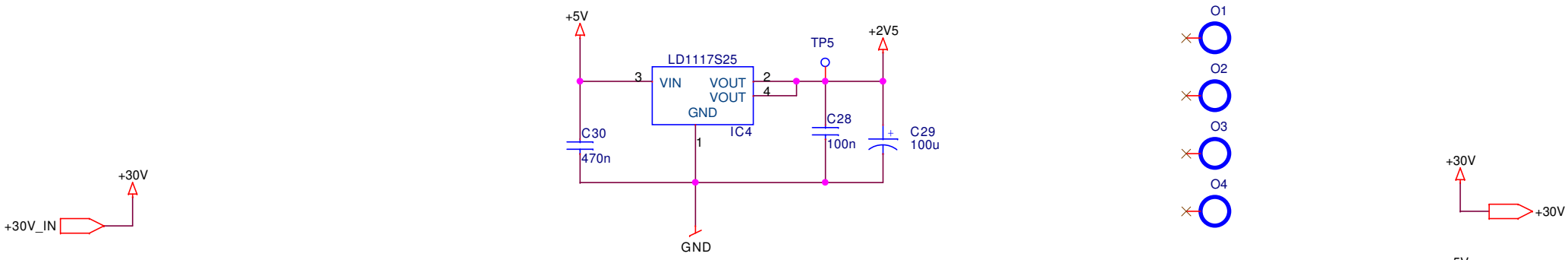
COMMENTS FOR LAYOUT:  
 A11 Pflxx must be places on same side of PCB and together with LD1 and LD2.  
 All TPxx must be placed on opposite side to Pflxx.



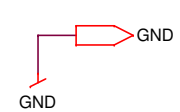
|       |               |                           |                     |           |
|-------|---------------|---------------------------|---------------------|-----------|
|       | Project Title | MAIN                      | Drawn By            | JOH       |
|       | Size          | A3                        | PCB Title           | BARN DOOR |
|       | Date:         | Tuesday, January 28, 2003 | Product Baan Number | 01001526  |
| Sheet | 1 of 7        |                           |                     |           |



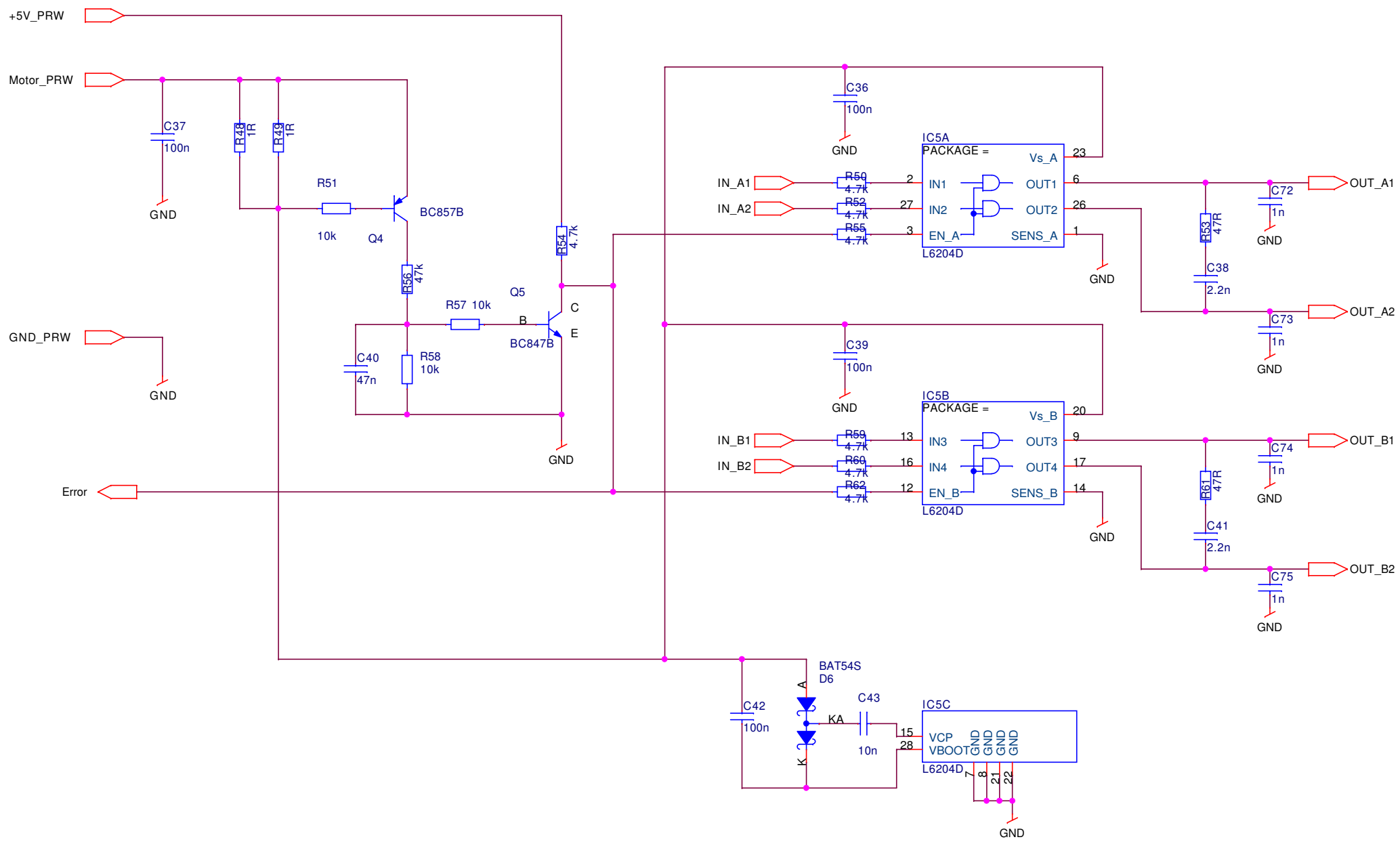
|   |                             |                                 |            |
|---|-----------------------------|---------------------------------|------------|
|  | Project Title               |                                 | Drawn By   |
|   | <b>POR - Power On Reset</b> |                                 | <b>JOH</b> |
|   | Size<br>A4                  | PCB Title<br><b>BARN DOOR</b>   | Rev<br>D   |
| Date:<br>Tuesday, January 28, 2008  |                             | Product Baan Number<br>01001526 |            |
| Sheet <b>2</b> of <b>7</b>  |                             |                                 |            |



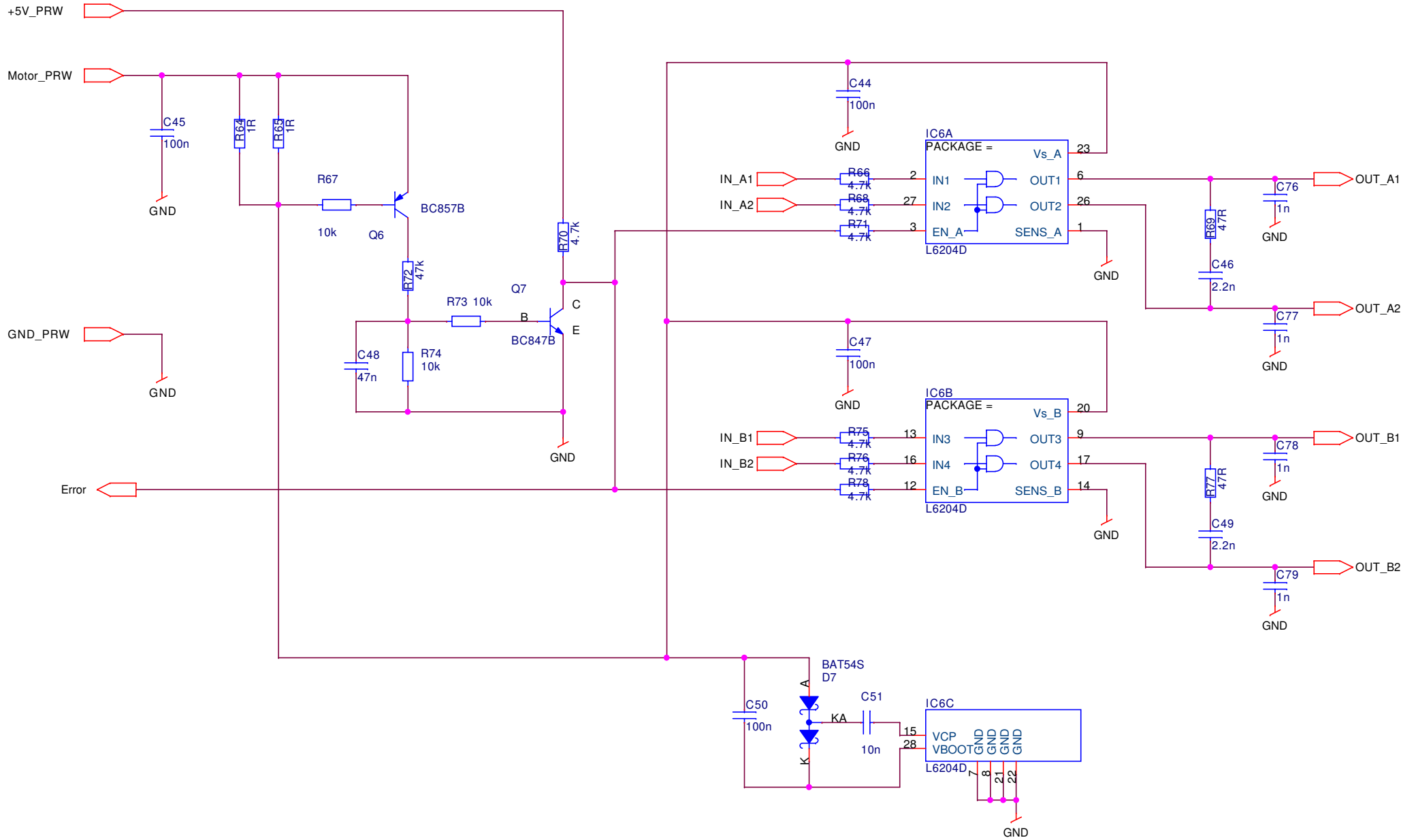
Værdien skal være 47u/50V men FootPrint er det samme.




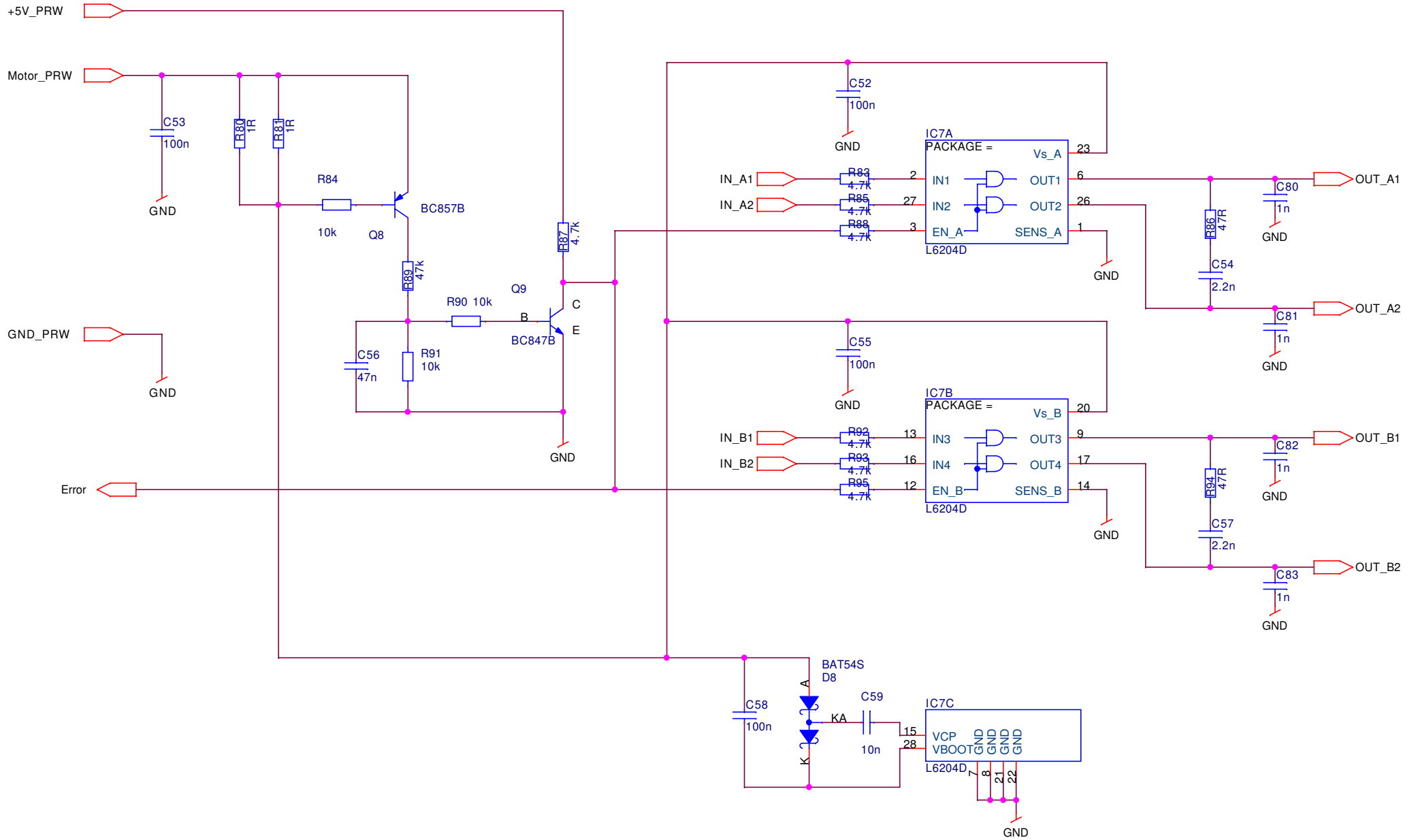
|                                    |   |                                 |                        |
|------------------------------------|---|---------------------------------|------------------------|
| <b>Martin</b>                      | Project Title<br><b>PS - Power Supply</b> |                                 | Drawn By<br><b>JOH</b> |
|                                    | Size<br>A4                                | PCB Title<br><b>BARN DOOR</b>   |                        |
| Date:<br>Tuesday, January 28, 2008 |   | Product Baan Number<br>01001526 |                        |
| Sheet <b>3</b> of <b>7</b>         |   |                                 |                        |



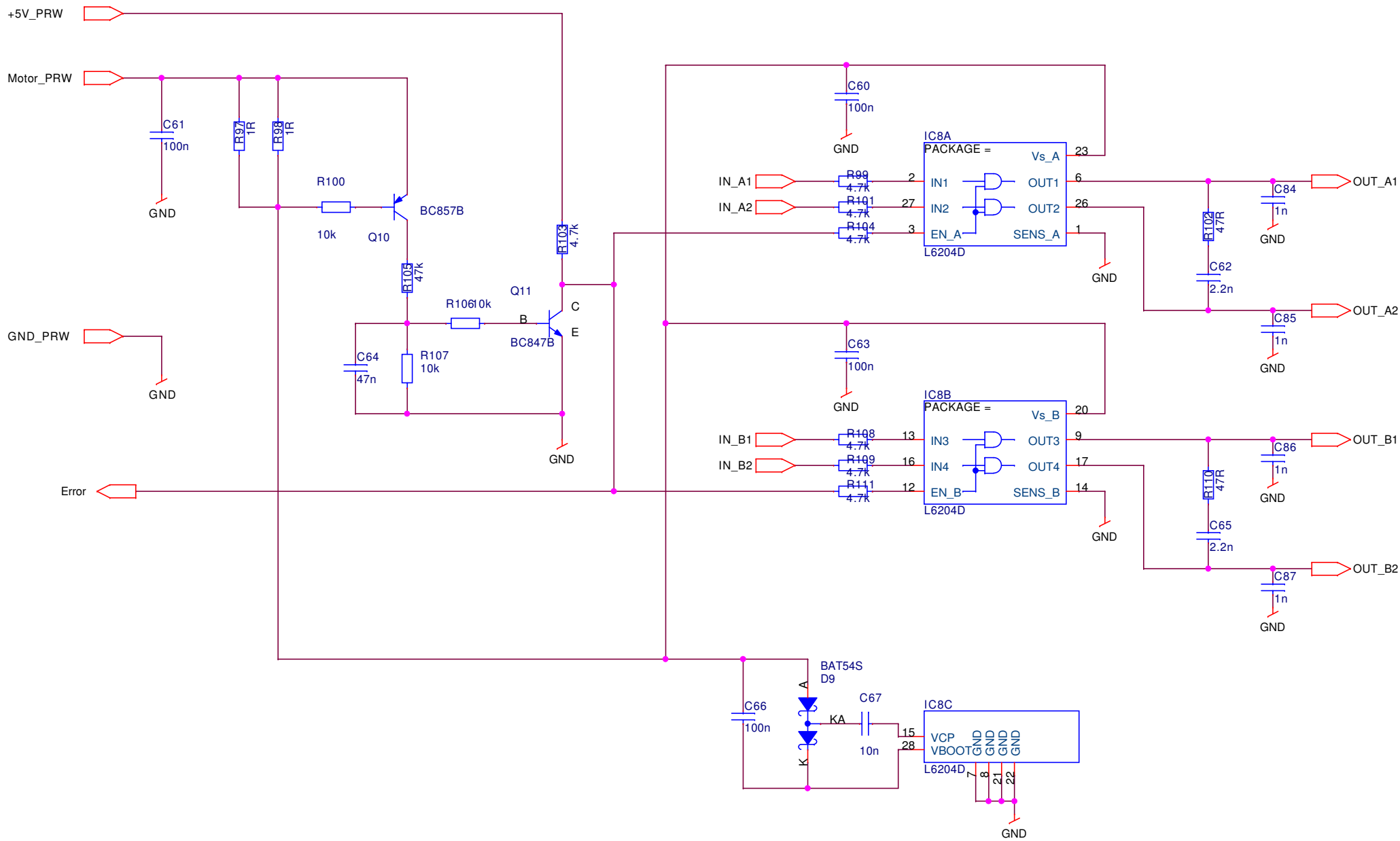
|                            |                                      |                               |                                 |
|----------------------------|--------------------------------------|-------------------------------|---------------------------------|
| <b>Martin</b>              | Project Title<br><b>L6204_DRIVER</b> |                               | Drawn By<br><b>JOH</b>          |
|                            | Size<br>A4                           | PCB Title<br><b>BARN DOOR</b> |                                 |
|                            | Date:<br>Tuesday, January 28, 2008   |                               | Product Baan Number<br>01001526 |
| Sheet <b>4</b> of <b>7</b> |                                      |                               |                                 |



|   |                                      |                                 |                        |
|---|--------------------------------------|---------------------------------|------------------------|
|  | Project Title<br><b>L6204_DRIVER</b> |                                 | Drawn By<br><b>JOH</b> |
|   | Size<br>A4                           | PCB Title<br><b>BARN DOOR</b>   |                        |
| 5 of 7<br>Sheet of  | Date:<br>Tuesday, January 28, 2008   | Product Baan Number<br>01001526 |                        |



|               |                                      |                                    |                                 |
|---------------|--------------------------------------|------------------------------------|---------------------------------|
| <b>Martin</b> | Project Title<br><b>L6204_DRIVER</b> |                                    | Drawn By<br><b>JOH</b>          |
|               | Size<br>A4                           | PCB Title<br><b>BARN DOOR</b>      |                                 |
| 6 of 7        |                                      | Date:<br>Tuesday, January 28, 2008 | Product Baan Number<br>01001526 |



|               |                                      |                                 |                        |
|---------------|--------------------------------------|---------------------------------|------------------------|
| <b>Martin</b> | Project Title<br><b>L6204_DRIVER</b> |                                 | Drawn By<br><b>JOH</b> |
|               | Size<br>A4                           | PCB Title<br><b>BARN DOOR</b>   |                        |
| 7 of 7        | Date:<br>Tuesday, January 28, 2008   | Product Baan Number<br>01001526 |                        |